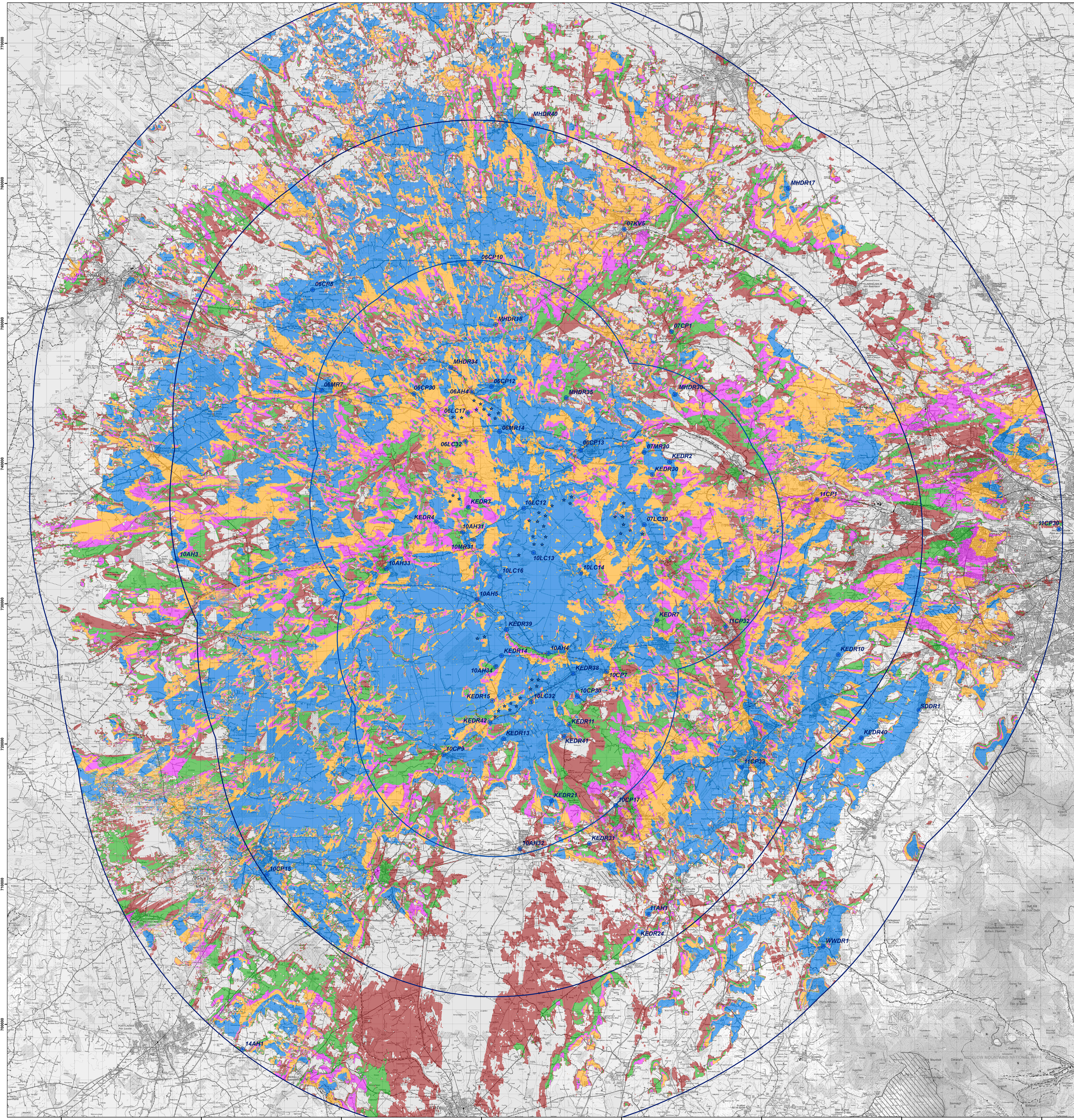


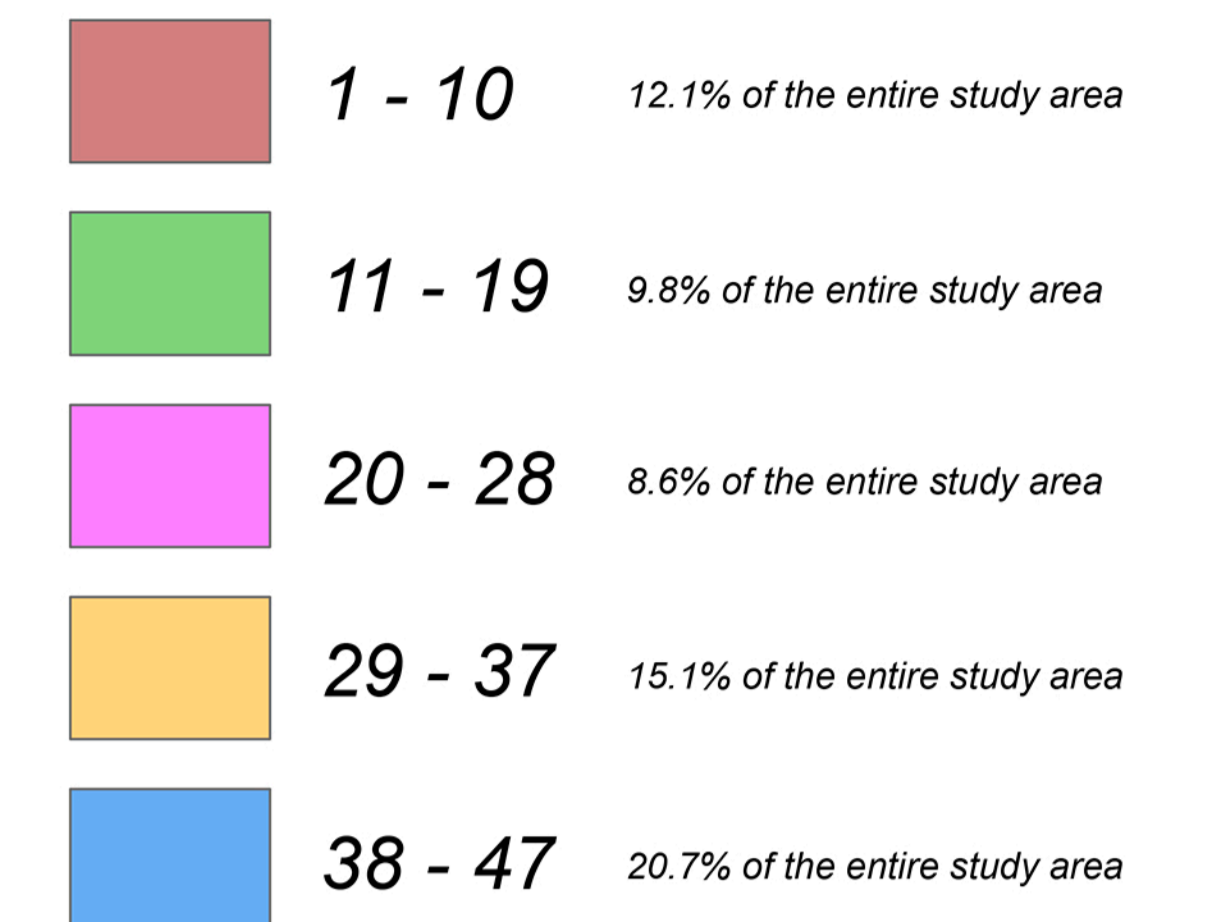
4.A.1 (i) Zone of Theoretical Visibility (ZTV) map indicating the areas that have a potential view of the proposed Maignhe Wind Farm turbines - calculated to nacelle height (109m)



Proposed Maignhe Turbines



Number of Turbines Visible

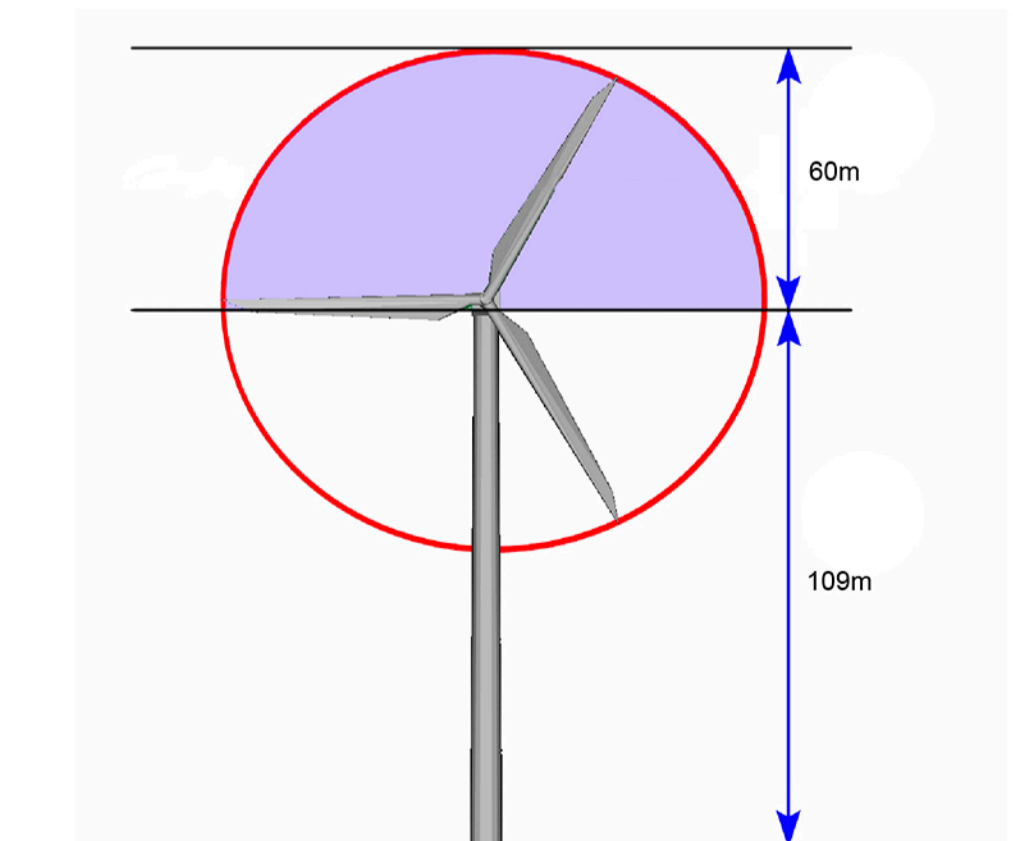
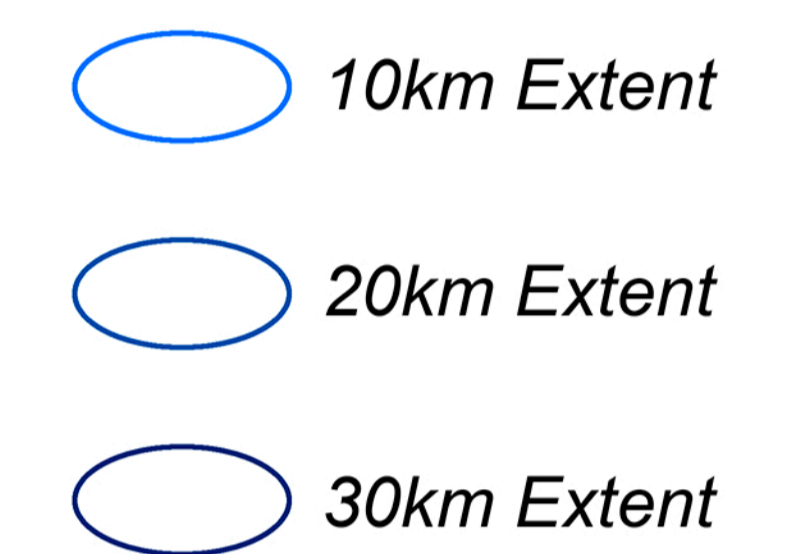


33.5% of the entire study area to 30km will not have any view of the turbine nacelles of the proposed Maignhe Wind Farm

Photomontage Viewpoints



Distance Bands from Turbines



This ZTV map has been calculated such that a turbine registers as being theoretically visible to observers in the surrounding landscape once there is an unobstructed line of sight to its nacelle.

Observer Height assumed: 2m to eye-level height
Nacelle Heights: 109m

Note: This ZTV map is calculated for landform screening only and does not take account of the significant screening effects of vegetation (hedgerows, trees) and buildings inherent across this study area.